



**We would like you to actually feel the
unprecedented comfort and easy operation!**

Torque Ratchet Wrench

ACCURACY

Our unique central axis lever adopted.

USER FRIENDLINESS

Simple setup of the placing needle type.

DURABILITY

Higher durability ensured even with a compact head.
(number of gear teeth: 48;7.5°)

Status of Use



Just a piece of
this wrench can
deal with any
implant body!!

Surgical Instruments 15~60N·cm

Usage Example of Lab Torque Driver

Work fine with cheek teeth and adjacent teeth.

A ratchet with 48 gear teeth ensures smooth operations. Vibration transmission of gear to the patient can be reduced. The result is faster and comfortable operations.

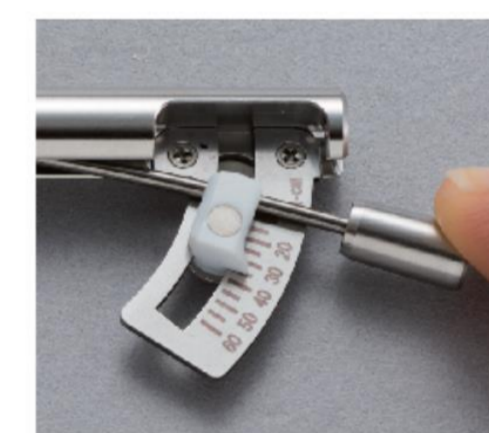


Cover the torque range from 15 to 60 N·cm.

Contra-angle drivers can be mounted. Just one piece of the driver covers the use of prosthesis screws and the measurement of torque.

Placing needle that reduces reading errors

The placing-needle design at the peak value has drastically improved visibility, thereby reducing reading errors to zero.

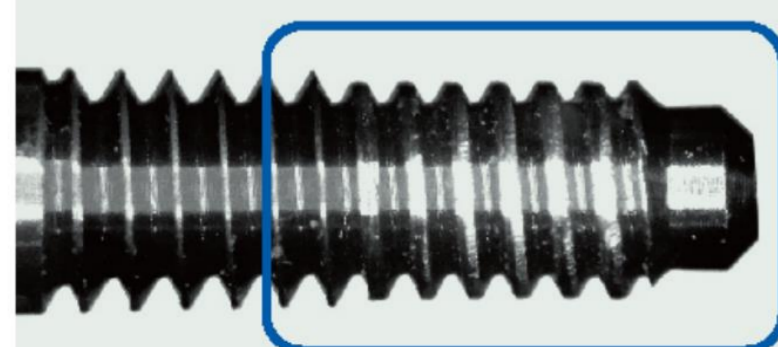


Adverse Effect of Over Torque

Abutment screws and lab screws must be tightened within the range of the specified torque. When the tightening torque is excessive, part of the screw threads will be deformed, and the expected rigidity and performance cannot be obtained. Adverse effects caused by over torque must be avoided at least to prevent deformation of the screw threads.

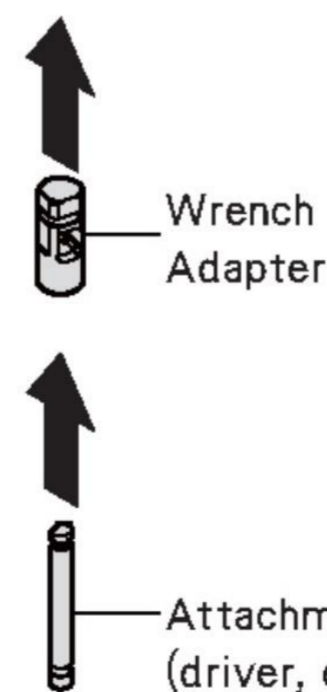
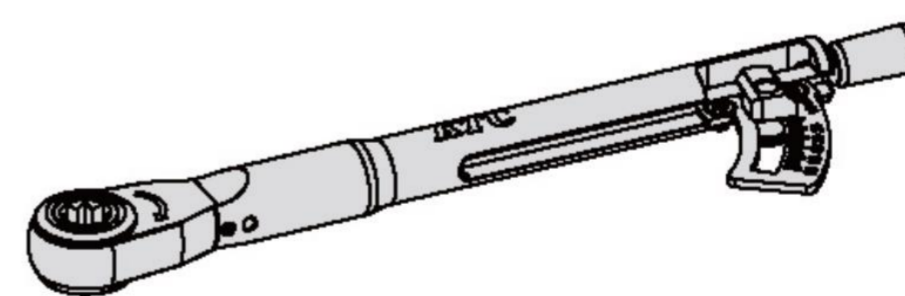
Screw Threads Tightened with Over Torque

Deterioration in screw threads noted



■ Conceptual Photo (Taken in our test)
Material of Abutment Screw (Ti-6Al-4V)
* The degree of deterioration varies according to the shapes and materials of the target articles.

Applicable Implant System



Since hand piece drivers of various implant systems can be mounted, the system can be applied to products of many manufacturers.

Product subject to torque check service (for two years after purchasing a brand-new product)

Safe and trusted support system by accuracy checking service

To ensure the secure use of the product manufactured by KTC for a long period of time, we offer safe, trusted support for the product as our unique after-sales service by sending the product for the torque check by the wrench manufacturer.

Precautions for Use of Ratchet Torque Wrench

■ To maintain the accuracy of ratchet torque wrench

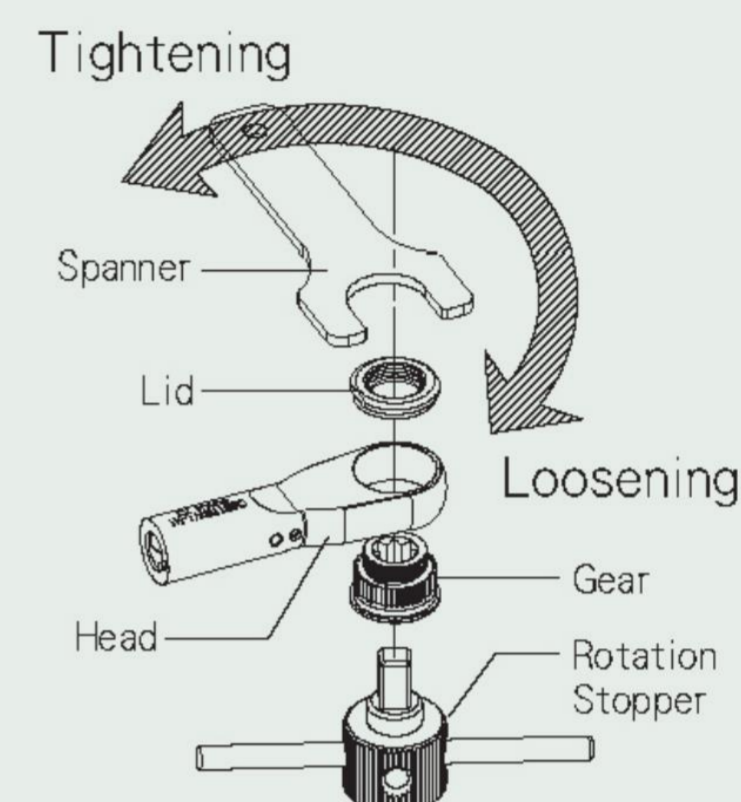
The ratchet torque wrench is a measuring instrument. Attention to handling precautions is required to maintain measurement accuracy. Be sure to check for any problems before using the wrench and always handle carefully during the use. After using the wrench, it should be cleaned with hot water and autoclave sterilization and then stored in an individual sterilizer pack. With the ratchet torque wrench, malfunctions may occur in the measurement accuracy as it is used, so we recommend checking accuracy (or adjust the accuracy as required) on a regular basis (once a year is recommended). In addition, if any problem is noted, be sure to send the product to us for a check.
*Be sure to carefully read the package insert of the product before using it.

■ Inspection service of ratchet torque wrench

[Inspection] We will check the accuracy, or if required, we will make the adjustment or repair the failure (free of charge for inspection only).

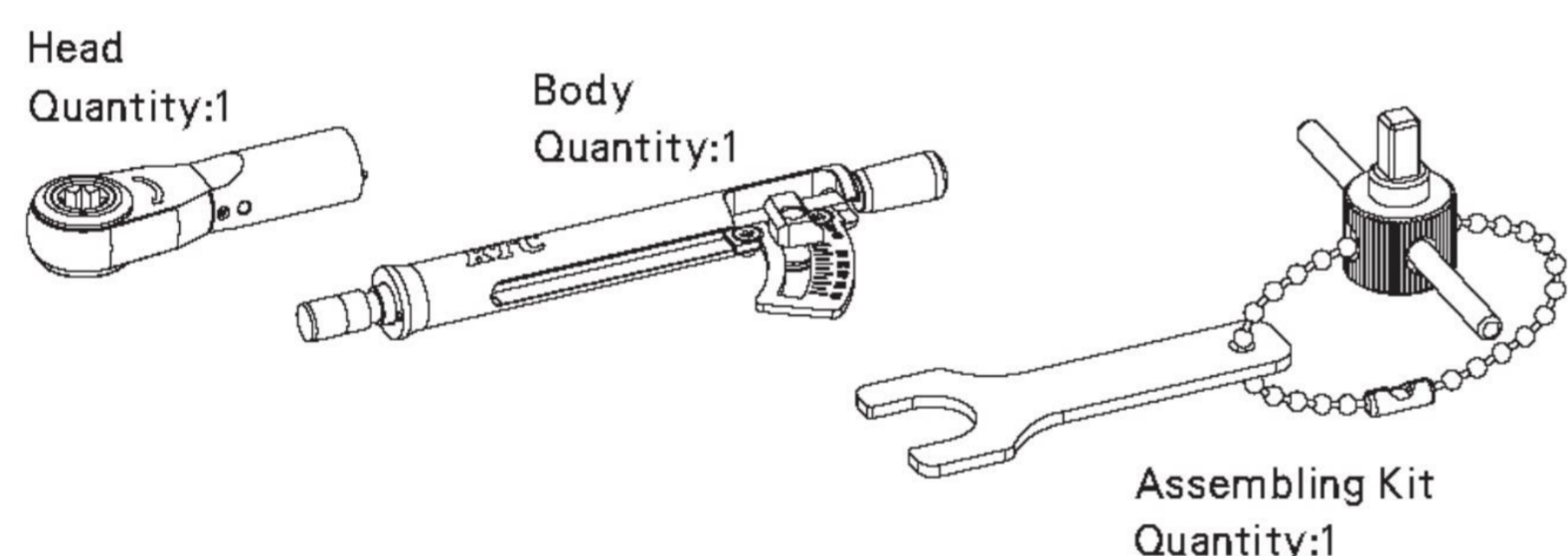
Contact the dealer from whom you purchased the product.

● Disassembly Method for Cleaning



Bundled Items

□ Ratchet Torque Wrench

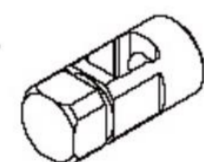


Product Name	Ratchet torque wrench
Model No.	D581TRW1
Feeding Angle	7.5° (No. of gear teeth: 48)
Torque Range	15~60N·cm
Calibration Range	5N·cm
Outer Dimensions	110 (total length) × 13 (head) × 8 (thickness) mm
Weight	35g

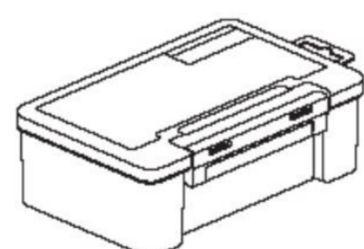
Dental Implant Surgery Tool : General Medical Device
Brand Name : Ratchet Torque Wrench Medical Device Notification No. : 26B3X10009150001

□ Incorporated Items

Ultra-short Wrench Adapter
Quantity:1



Resin Case
Quantity:1



Product Name	Ultra-short wrench adapter
Model No.	D581NEW1-WAS

Optional Items

□ Lineups of Wrench Adapter

	Product Name	Ultra-short wrench adapter
	Model No.	D581NEW1-WAS
	Dimension	10 (total length) mm
	Applications	Anterior teeth, Adjacent teeth, Cheek teeth

	Product Name	Through-wrench adapter
	Model No.	D581NEW1-WAP
	Dimension	13 (total length) mm
	Applications	Cheek teeth, Adjacent teeth,

Notification No. : 26B3X10009130011